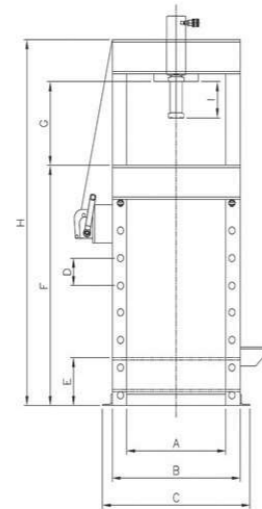


>> SHOP PRESS



- > Capacity : 20 ~ 200 TON
- > Stroke : 50 ~ 300 mm
- > Maximum pressure : 700 bar
- > Coupler : KTBC 381F(PT 3/8)

Ordering information

ESP ○○ -XX □□□

SHOP PRESS

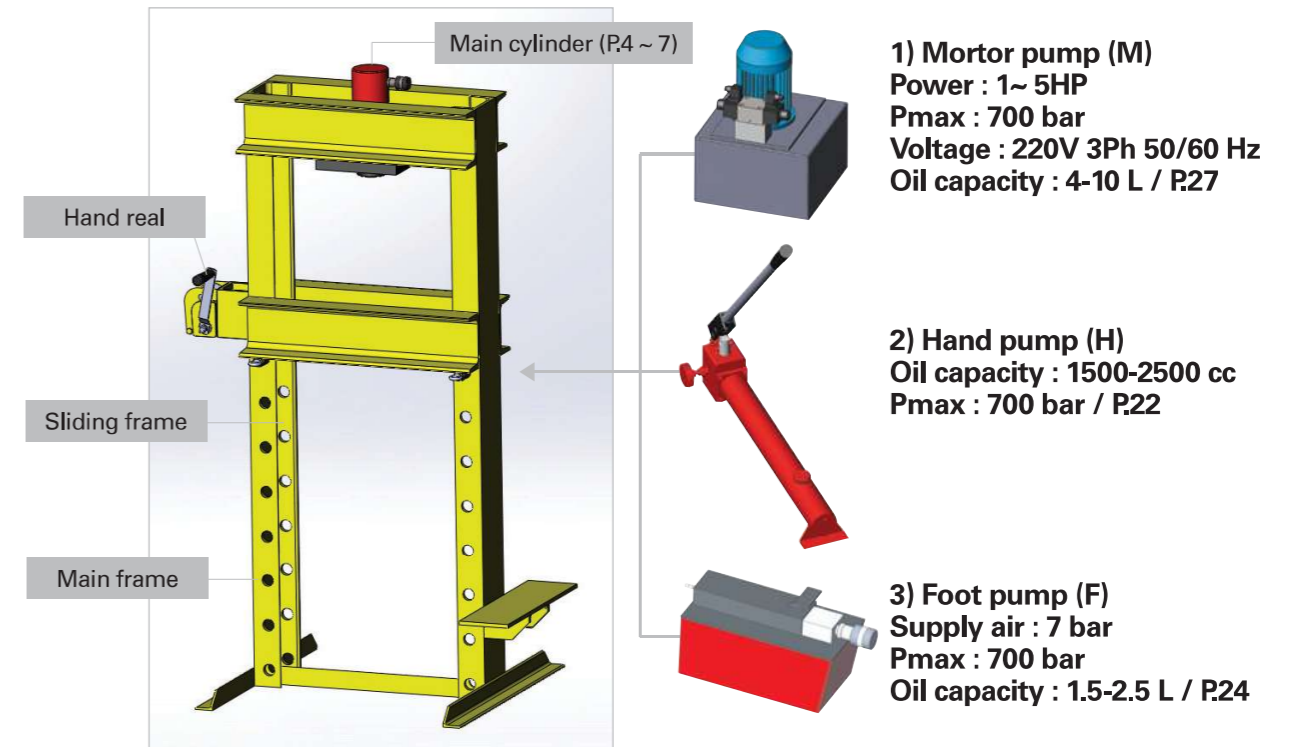
Tonnage

1. ○ = S-> single acting cylinder, D-> double acting cylinder
 2. ○ = H-> hand pump, F-> foot pump, M-> motor pump
 3. □□□ = 50, 100, 150, 200, 250, 300-> choose the stroke
 4. Special size is available(optional).
- EX) ESPSH-20100 : Single acting by hand pump Tonnage is 20ton, and stroke is 100mm.

>Specification

| Model | Tonnage(ton) | Detail Specification | Demensions (mm) | | |
|-----------------|--------------|-------------------------------|-----------------|------|------|
| | | | A | B | C |
| ESP ○ O-20 □□□ | 20 | ○ : S or D ○ : H or F or M | 735 | 905 | 1105 |
| ESP ○ O-30 □□□ | 30 | ○ : S or D ○ : H or F or M | 735 | 905 | 1105 |
| ESP ○ O-50 □□□ | 50 | ○ : S or D ○ : H or F or M | 450 | 710 | 830 |
| ESP ○ O-100 □□□ | 100 | ○ : D ○ : M | 450 | 710 | 830 |
| ESP ○ O-150 □□□ | 150 | ○ : D ○ : M | 600 | 1040 | 1240 |
| ESP ○ O-200 □□□ | 200 | ○ : D ○ : M | 600 | 1040 | 1240 |

>> SHOP PRESS



- 1) Motor pump (M)
Power : 1~ 5HP
Pmax : 700 bar
Voltage : 220V 3Ph 50/60 Hz
Oil capacity : 4-10 L / P27
- 2) Hand pump (H)
Oil capacity : 1500-2500 cc
Pmax : 700 bar / P22
- 3) Foot pump (F)
Supply air : 7 bar
Pmax : 700 bar
Oil capacity : 1.5-2.5 L / P24

DESCRIPTION

Enpos shop press is including main frame, sliding frame, hand rill (to move frame), and main cylinder. In addition customer can add the hyd power pack, motor pump, hand pump, or foot pump optionally.

| Model | Demensions (mm) | | | | | I |
|------------------|-----------------|-----|------|-----|------|-----------------|
| | D | E | F | G | H | |
| ESPM ○ O-20 □□□ | 300 | 295 | 1322 | 172 | 1930 | Cylinder Stroke |
| ESPM ○ O-30 □□□ | 300 | 295 | 1322 | 172 | 1930 | |
| ESPM ○ O-50 □□□ | 250 | 325 | 1325 | 305 | 1960 | |
| ESPM ○ O-100 □□□ | 130 | 325 | 1325 | 305 | 1960 | |
| ESPM ○ O-150 □□□ | 150 | 530 | 980 | 315 | 1775 | |
| ESPM ○ O-200 □□□ | 150 | 530 | 980 | 315 | 1775 | |

>> BLOCK LIFTER



>Capacity : 50 ~ 700 TON
 >Stroke : 50 ~ 400 mm
 >Maximum pressure : 700 bar

AS THIS EQUIPMENT OF ONE BODY TYPE FOR HYDRAULIC JACK AND HYDRAULIC PUMP, IS EASY TO MOVE. THIS EQUIPMENT, BLOCK LIFTER IS USED FOR LEVEL CONTROL IN BLOCK WELDING AND JACK-UP WORK.

Ordering information

EBL ○○ -XX □□
 BLOCK LIFTER Tonnage

1. ○ = CART-A TYPE: CA, CART-B TYPE: CB, BLOCK TYPE: BL
 2. □□ = STROKE (*check the below table)
 3. Special size is available(optional).

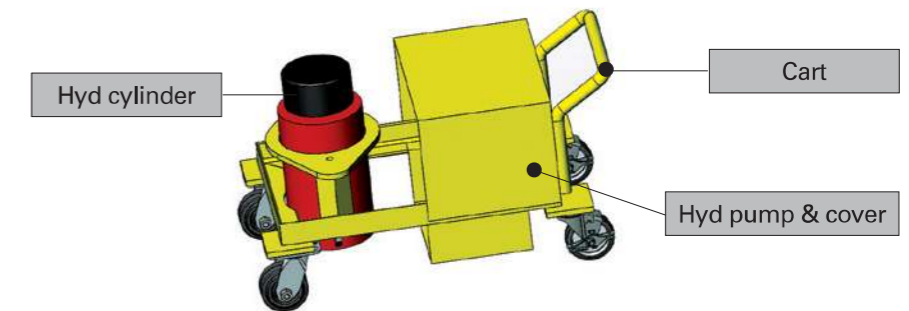
>Specification

| Model | Tonnage(ton) | Stroke (mm) | Type | |
|----------------|--------------|-----------------------------------|-----------|------------|
| | | | Cart type | Block type |
| EBL ○ -50 □□□ | 50 | 50, 100, 150, 200, 250 | 0 | |
| EBL ○ -100 □□□ | 100 | 100, 150, 200, 250, 300, 350, 400 | 0 | |
| EBL ○ -150 □□□ | 150 | 150, 200, 250, 300, 350, 400 | 0 | |
| EBL ○ -200 □□□ | 200 | 150, 200, 250, 300, 350, 400 | 0 | 0 |
| EBL ○ -300 □□□ | 300 | 50, 200, 250, 300, 400 | 0 | 0 |
| EBL ○ -500 □□□ | 500 | 200, 250, 300, 350, 400 | 0 | 0 |
| EBL ○ -700 □□□ | 700 | 300, 400 | 0 | 0 |

>> BLOCK LIFTER

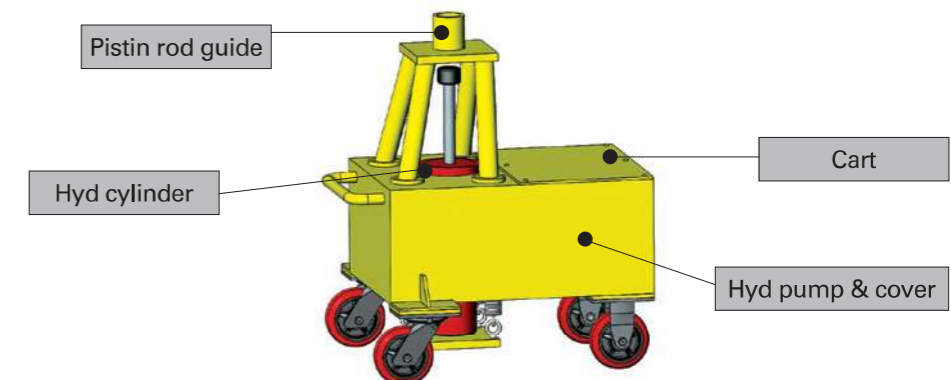
BLOCK LIFTER TYPE

1) CART-A TYPE (CA)



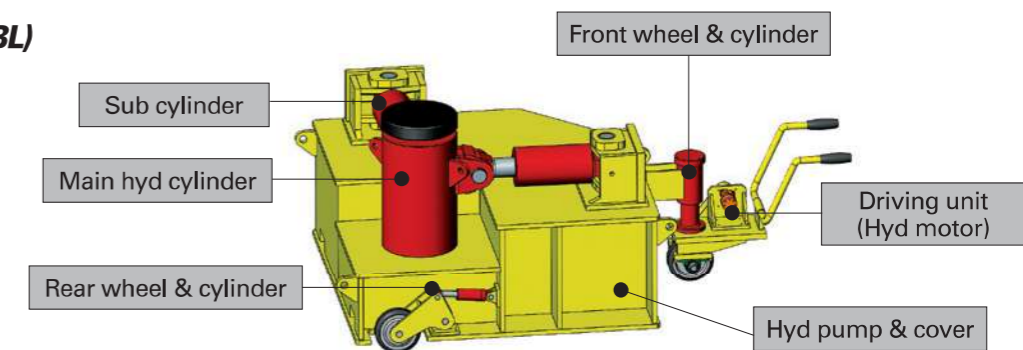
DESCRIPTION This equipment is made up cart, hyd pump, hyd cylinder, and control box. Hyd cylinder can be divided from cart.

2) CART-B TYPE (CB)



DESCRIPTION This equipment is made up cart, hyd pump, hyd cylinder, and control box. All in one type and having guide, so it is advantage for long stroke

3) BLOCK TYPE (BL)



DESCRIPTION This system can be specially synchronized operation, some of LIFTERS can be operated by one wireless remote controller for block's minuteness level control (up, down, right, left, forward, & backward).

>> POWER PACK



>Flow late : 10 ~ 150 L/m
 >Maximum pressure : 700 bar
 > Power : AC220/3 φ , AC380/3 φ , AC440/3 φ

DESCRIPTION

This unit is used for the operation of ramp, door and hatch cover. It is also used for hydraulic line pressure test. As this system is small, lightweight and portable, it can be moved freely in the car deck.

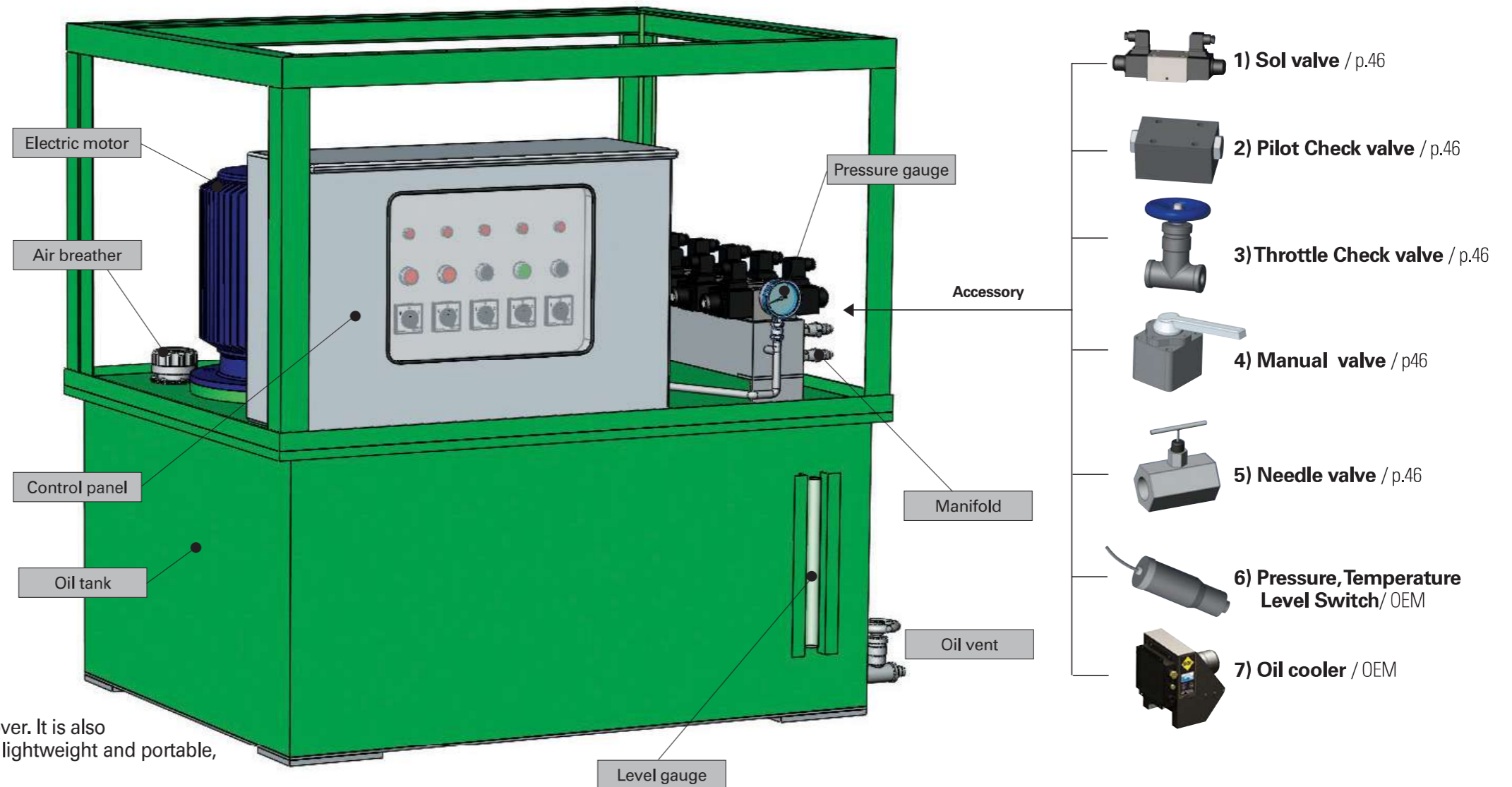
EPP-60-O- ◎◎ -Δ-XXXX-(00000)+(Additional Option)

POWER PACK Hz(50 or 60)

Ordering information

1. O = Motor Capacity 2HP ~ 100HP (unit: HP, only numbers when writing)
2. ◎◎ = Flow (unit: m3/Hr, only numbers when writing)
At high,low pressure multi pump, write as " ◎◎ / ◎◎ " (high/low)
3. Δ = PORT No.
4. XXXX = TANK Capacity (unit: L(LITTER), only numbers when writing)
5. Motor Power(00000) = AC220/3 φ , AC380/3 φ , AC440/3 φ
6. Control Power : AC220 X 60/50Hz X 1 φ
7. Special size is available(optional).

>> POWER PACK



Power pack basic composition

- 1) Pump
- 2) Oil tank
- 3) Pressure, Temperature, Level Gauge
- 4) Filter (Inlet/Outlet)
- 5) Manifold (port)
- 6) Control Box
- 7) Air-Breather
- 8) Sol valve
- 9) Relief valve

>Specification

| Model | Pressure (Flow late) | Option |
|------------------------------------|------------------------|---------------------------|
| EPP-50 or 60-O- ◎◎ -Δ-XXXX-(00000) | 700 bar (10 ~ 150 L/m) | Other hydraulic accessory |

>> JACK UP SYSTEM



Jack up system diagram

DESCRIPTION

This equipment is produced for Jacking of large block, and performs simultaneous and individual actions.

SYNCHRONIZED OPERATION!! INDEPENDENT OPERATION!!

Ordering information

EJU- ○○○○ -XXXX-O

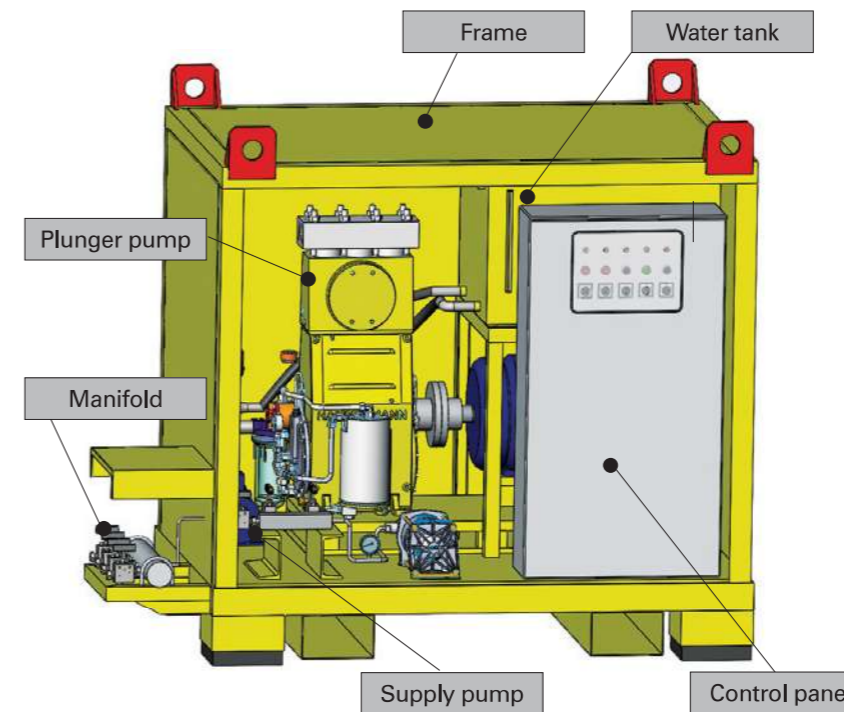
1. ○○○○ = POWER PACK MODEL NO.
2. OPTION (XXXX) = Model no for Double Acting Cylinder (EDR-series)
3. O = Cylinder qty'

JACK UP SYSTEM

>Specification

| Model | Specification Flow late(Pressure) | | OPTION |
|-------------------|---|--|------------------------|
| | Power pack | Jack(Cylinder) | |
| EJU- ○○○○ -XXXX-O | Flow late : 10 ~ 150 L/m Max. pressure : 700 bar | 저 하중 200 TON 이하 (P.6) 고 하중 300 ~ 1000 TON | SYNCHRONIZED OPERATION |

>> PLUNGER PUMP UNIT



- >Maximum pressure : 3500 bar
- >Flow late : 103 ~ 2987 L/m

DESCRIPTION

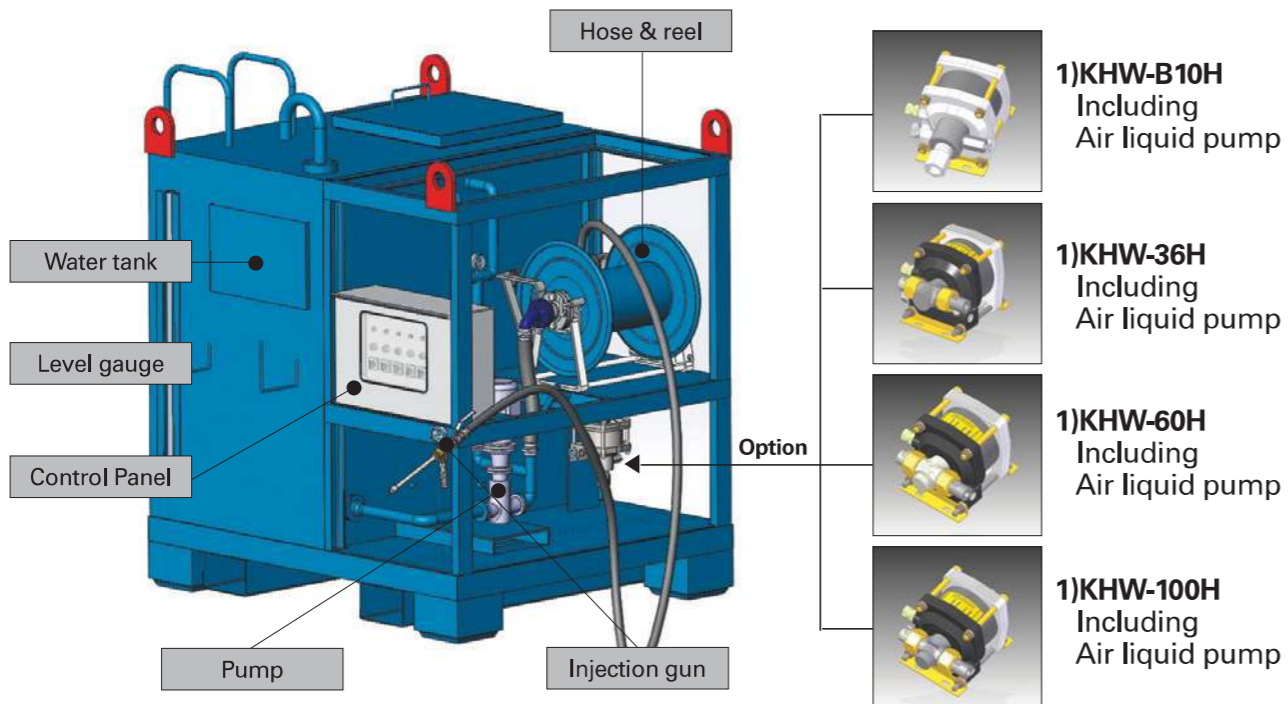
This equipment is for pressure test and cleaning with big flow and high pressure in plant,shipbuilding, and power plant industries.



>Specification

| Model | Max flow (L/min) [Pressure (bar)] / Max pressure (bar) [Flow (L/min)] | Plunger Ø (mm) | Motor (Kw) | Pump weight (kg) |
|--------------|---|----------------|------------|------------------|
| EPU-HDP 10 | 103 [55] / 2200 [2.2] | 8 - 45 | 5.5 - 11 | 94 |
| EPU-HDP 20 | 103 [95] / 3500 [2.2] | 8 - 45 | 11 - 18.5 | 95 |
| EPU-HDP 40 | 155 [130] / 3000 [5.5] | 12 - 55 | 15 - 37 | 200 |
| EPU-HDP 70 | 201 [180] / 3000 [10.4] | 12 - 55 | 30 - 70 | 215 |
| EPU-HDP 120 | 326 [200] / 3000 [12] | 17.5 - 70 | 45 - 120 | 380 |
| EPU-HDP 170 | 460 [200] / 3200 [26] | 17.5 - 70 | 75 - 170 | 525 |
| EPU-HDP 250 | 766 [170] / 3200 [44] | 17.5 - 70 | 110 - 250 | 1070 |
| EPU-HDP 250L | 766 [170] / 3000 [46] | 17.5 - 70 | 111 - 250 | 1050 |
| EPU-HDP 380 | 1018 [200] / 3000 [61] | 28 - 110 | 200 - 380 | 1700 |
| EPU-HDP 500 | 1280 [210] / 3000 [77] | 28 - 110 | 300 - 500 | 1960 |
| EPU-HDP 800 | 2133 [200] / 3000 [129] | 28 - 110 | 500 - 800 | 3700 |
| EPU-HDP 1100 | 2987 [200] / 3000 [178] | 28 - 110 | 710 - 1100 | 5361 |

>> ROCKY WASHER



DESCRIPTION

This equipment is water testing system of the cabin and the hull. And This is produced as with AIR LIQUID PUMP (option), so it can also do high pressure test at 700 bar.

- Pump Standard by frequency (Pump : OEM)
 - 60Hz = MXV40-811-60
 - 50Hz = MXV50-1608/C
- OPTION (XXXX) ----- (Just blank if there is no option)
 - B10H : (1.5HP) X (ratio 10) X (output 16.7L/min)
 - 35H : (6HP) X (ratio 35) X (output 19.6L/min)
 - 60H : (6HP) X (ratio 60) X (output 11.4L/min)
 - 100H : (6HP) X (ratio 100) X (output 6.5L/min)
- POWER(00000) = AC220/3 φ , AC380/3 φ , AC440/3 φ
- Special size is available(optional).

Ordering information

ERW60-1500-XXXX-(00000)

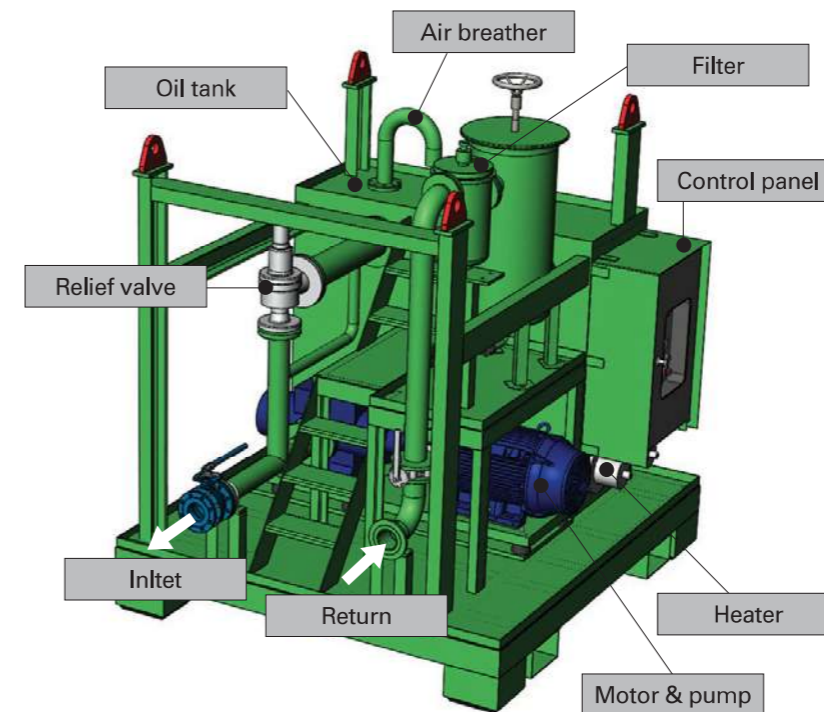
ROCKY WASHER Hz(50 or 60) TANK CAPACITY

>Specification

| Model | Hz | Flow late(Pressure) | OPTION (XXXX) |
|-------------------------|----|----------------------|---|
| ERW60-1500-XXXX-(00000) | 60 | 12 m3/Hr (16 bar) | Including AIR LIQUID PUMP B10H, 35H, 60H, 100H |
| ERW60-2000-XXXX-(00000) | | | |
| ERW60-3000-XXXX-(00000) | | | |
| ERW60-4500-XXXX-(00000) | | | |

-If the Hz is changed to 50, the flow late and pressure should be 12m3/Hr (14.6 bar).

>> FLUSHING UNIT



All in one type



Separated type

- >Pressure : 10 ~ 40 bar
- >Flow late : 10 ~ 145 m3/Hr
- >Power : AC220/3 φ , AC380/3 φ , AC440/3 φ

DESCRIPTION

This equipment is designed and built up for flushing & testing inside the piping line of the vessels. If leakage or any abnormal working are happened during testm the system stops automatically.

Ordering information

EFU-B-60- ○○ -XXXX-(00000)

FLUSHING UNIT OIL: B, WATER: W Hz(50 or 60)

- = FLOW
- OPTION (XXXX) = Oil/water tank capacity (Separated TANK type _S : ex) 1500S)
- POWER(00000) = AC220/3 φ , AC380/3 φ , AC440/3 φ
- Special size is available(optional).

>Specification

| Model | Flow late (Pressure) | Liquid | OPTION (XXXX) (Oil/Water tank capacity)(L) |
|----------------------------|---------------------------------|--------|--|
| EFU-B-60- ○○ -XXXX-(00000) | 10 ~ 145 m3/Hr (10 ~ 40 bar) | Oil | 1) All in one type : 500, 1000, 1500 2) Separated type : 2000, 2500, 3000 |
| EFU-B-50- ○○ -XXXX-(00000) | 8 ~ 120 m3/Hr (10 ~ 40 bar) | Oil | 1) All in one type : 500, 1000, 1500 2) Separated type : 2000, 2500, 3000 |
| EFU-W-60- ○○ -XXXX-(00000) | 100 ~ 150 m3/Hr 14 bar | Water | 1) Separated type : 2000, 2500, 3000 |
| EFU-W-50- ○○ -XXXX-(00000) | 80 ~ 125 m3/Hr 14 bar | Water | 1) Separated type : 2000, 2500, 3000 |